

# 8FG10 8FD10

8FD25



## MAIN VEHICLE SPECIFICATIONS

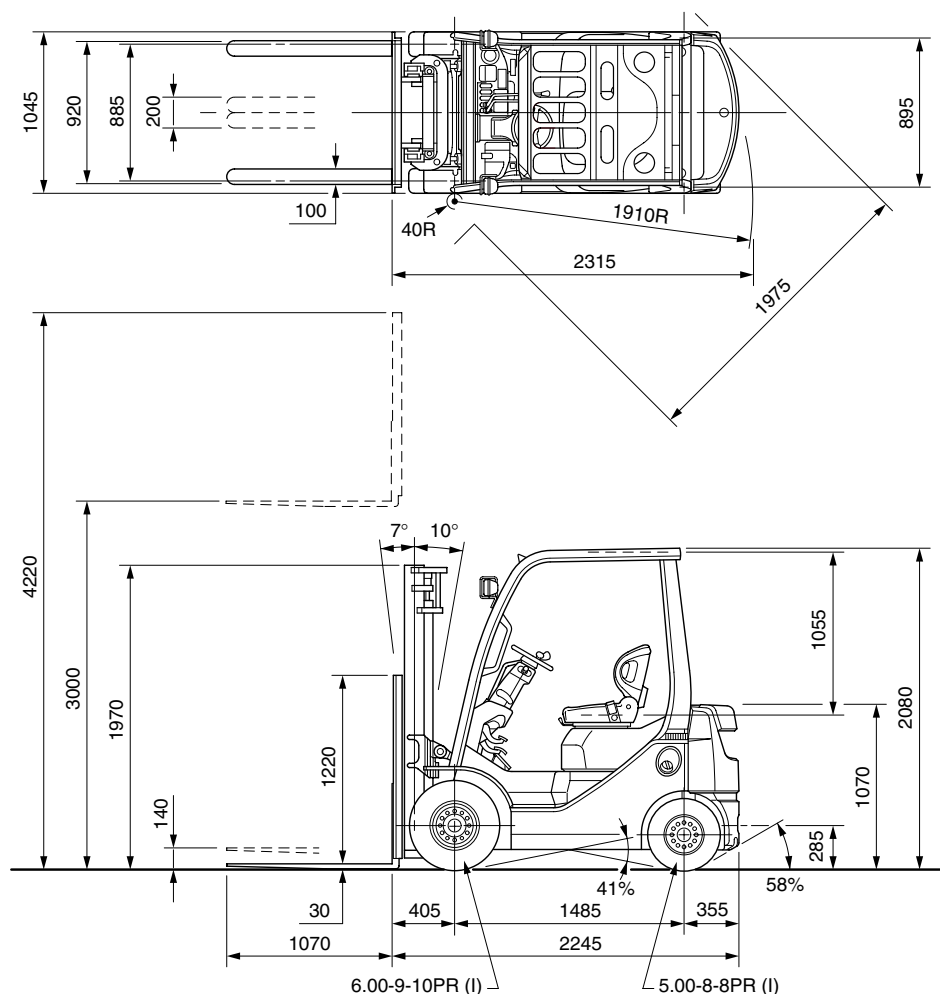
				TOYOTA		TOYOTA		
				30-8FG10	32-8FG10	60-8FD10	62-8FD10	
1	Manufacturer							
2	Model							
3	Load Capacity		kg	1000		1000		
4	Load Center		mm	500		500		
5	Power Type			Gasoline		Diesel		
6	Operator Position			Rider Seated		Rider Seated		
7	Tire Type	Front/Rear		Pneumatic		Pneumatic		
8	Wheels (x = driven)	Front/Rear		2x/2		2x/2		
9	Maximum Fork Height (MFH)			3000		3000		
10	Free Lift			140		140		
13	Fork Size	T x W x L	mm	30x100x1070		30x100x1070		
	Fork Spread (Outside)	MAX./MIN.	mm	920/200		920/200		
14	Tilt Range	FWD/BWD	deg	7/10		7/10		
15	Length to Fork Face			2245		2245		
16	Overall Width			1045		1045		
17	Mast Lowered Height			1970		1970		
18	Mast Extended Height			4220		4220		
19	Overhead Guard Height			2080		2080		
21	Turning Radius (Outside)			1910		1910		
22	Load Distance (Centerline of front axle to front face of forks)		mm	405		405		
	Rear Overhang		mm	355		355		
23	Basic Right Angle Stacking Aisle Width (Add load length and clearance)			2315		2315		
24	Travel, Max. (FWD/RVS)	Full Load	km/h	19.0/19.0	18.5/18.5	17.5/17.5	17.5/17.5	
		No Load	km/h	19.5/19.5	19.0/19.0	18.0/18.0	18.0/18.0	
25	Lifting	Full Load	mm/sec	610	610	650	650	
		No Load	mm/sec	660	660	675	675	
26	Lowering	Full Load	mm/sec	500	500	500	500	
		No Load	mm/sec	550	550	550	550	
28	Max. Drawbar Pull	Full Load	N (kg)	16800 (1710)	19500 (1990)	17500 (1780)	19500 (1990)	
		No Load	N (kg)	7500 (760)	6800 (690)	7500 (760)	7500 (760)	
	Max. Drawbar Pull at 1.5km/h *	Full Load	N (kg)	—	17300 (1760)	—	17600 (1790)	
29	Gradeability at 1.5 km/h *	Full Load	% (tanθ)	—	45	—	45	
30	Max. Gradeability *	Full Load	% (tanθ)	45	45	45	45	
		No Load	% (tanθ)	28	28	28	28	
32	Total Weight			2070		2170		
33	Weight Distribution	Full Load	Front	kg	2670		2720	
			Rear	kg	400		450	
34	No Load	Front	kg	1060		1110		
		Rear	kg	1010		1060		
35	Number			2/2		2/2		
36	Tires	Front		6.00-9-10PR (I)		6.00-9-10PR (I)		
37		Rear		5.00-8-8PR (I)		5.00-8-8PR (I)		
38	Wheelbase			1485		1485		
39	Tread	Front	mm	885		885		
		Rear	mm	895		895		
	Backrest Height			1220		1220		
	Overhead Guard Clearance			1055		1055		
	Counterweight Height			1070		1070		
	Drawbar Pin Center Height			285		285		
	Step Height/Floor Height			370/605		370/605		
40	Underclearance	Min. with Load	mm	90		90		
41		Center of Wheelbase	mm	120		120		
	Grade Clearance	Frame/Counterweight	% (tanθ)	41/58		41/58		
42	Brake	Service (Foot)		Hydraulic		Hydraulic		
43		Parking		Hand	Foot	Hand	Foot	
45	Battery	Voltage/Capacity (5HR)	V/AH	12/27		12/55		
49	Make/Model			TOYOTA/4Y		TOYOTA/1DZ-II		
50	Rated Horsepower/r.p.m.			40/2400 (54/2400)		40/2400 (55/2400)		
51	Internal Combustion Engine	Rated Torque/r.p.m.	N-m (JIS kg-m)	162/1800 (16.5/1800)		167/1600 (17.0/1600)		
52		Number of Cylinder		4		4		
		Piston Displacement	cc	2237		2486		
		Fuel Tank Capacity	liter	45		45		
55	Transmission	Type		Manual	Powershift	Manual	Powershift	
		Stage	FWD/RVS	2/2	1/1	2/2	1/1	
57	Operating Pressure	For Attachments	Mpa (kg/cm <sup>2</sup> ) <psi>	11.8 (120) <1700>		11.8 (120) <1700>		

NOTE: \* Computed values.

# DIMENSIONAL DRAWINGS

8FG/8FD10

Unit: mm



## UNDERCLEARANCE

Mast	90
Drive Axle	90
Steer Axle	130
Center of Wheelbase	120
Counterweight	125

## SPECIAL TREAD

Model		8FG/8FD10		
Front Tire	Single/Dual	Single	Single	Dual
Front Tire Size		6.00-9-10PR (I)	6.50-10-10PR (I)	4.50-12-8PR (I)
Overall Width	mm	1045	1070	1290
Tread, Front	mm	885	885	1010

## SPECIAL MAST

Wide Visible Full-Free Lift Two-Stage Mast (FV), Wide Visible Full-Free Lift Three-Stage Mast (FSV)

Model		8FG10	8FD10	8FG10	8FD10
Type of Mast		FV		FSV	

### PERFORMANCE

Speeds	Lifting	Full Load	mm/sec	565	600	570	620
		No Load	mm/sec	610	640	615	650
	Lowering	Full Load	mm/sec		480		480
		No Load	mm/sec		420		450

### DIMENSIONS

Load Distance (Centerline of front axle to front face of forks)	mm	410	425
--	----	-----	-----

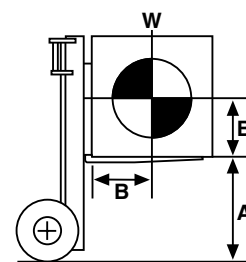
## RATED CAPACITIES

### 8FG/8FD10

Unit: kg (W)

#### V, FV Mast (PN or PSC)

A (mm)	4000	4500	5000
500	1000	950	950
600	900	850	850
700	810	770	770
800	750	710	710
900	690	650	650
1000	640	610	610
1100	600	570	570
1200	560	530	530



A: Max. Fork Height  
B: Load Center  
W: Capacity

#### FSV Mast (PN)

A (mm)	3700	4000	4300	4500	4700	5000	5500	6000	6500	7000
500	950	900	900	900	900	850	850	700 [800]	— [700]	— [650]
600	850	810	810	810	810	760	760	630 [720]	— [630]	— [580]
700	780	740	740	740	740	690	690	570 [650]	— [570]	— [530]
800	710	670	670	670	670	640	640	520 [600]	— [520]	— [490]
900	660	620	620	620	620	590	590	480 [550]	— [480]	— [450]
1000	610	580	580	580	580	550	550	450 [510]	— [450]	— [420]
1100	570	540	540	540	540	510	510	420 [480]	— [420]	— [390]
1200	540	510	510	510	510	480	480	390 [450]	— [390]	— [370]

#### FSV Mast (PSC)

A (mm)	6000
500	800
600	720
700	650
800	600
900	550
1000	510
1100	480
1200	450

[ ] for dual tire models (PN or PSC).

## MAST SPECIFICATIONS & RATED CAPACITIES

Wide Visible Mast (V), Wide Visible Full-Free Lift Two-Stage Mast (FV), Wide Visible Full-Free Lift Three-Stage Mast (FSV)  
8FG/8FD10

Mast Type	Maximum Fork Height	Overall Height			Free Lift		Single Tire				Dual Tire		
		Lowered	Extended		Without Load Backrest	With Standard Load Backrest	Tilt Range		Load Capacity at 500 mm LC		Tilt Range		Load Capacity at 500 mm LC
			Without Load Backrest	With Standard Load Backrest			FWD	BWD	Pneumatic Tire	Pneumatic-Shaped Cushion Tire	FWD	BWD	
V	2700	1820*	3145**	3920	140	140	7	10	1000	1000	7	10	1000
	3000	1970*	3445**	4220	140	140	7	10	1000	1000	7	10	1000
	3300	2120*	3745**	4520	140	140	7	10	1000	1000	7	10	1000
	3500	2220*	3945**	4720	140	140	7	10	1000	1000	7	10	1000
	3700	2380*	4145**	4920	140	140	7	10	1000	1000	7	10	1000
	4000	2570*	4445**	5220	140	140	7	10	1000	1000	7	10	1000
	4500	2820*	4945**	5720	140	140	7	5	950	950	7	10	950
	5000	3070*	5445**	6220	140	140	7	5	950	950	7	5	950
FV	2870***	1905*	3465	4125	1340*	680*	7	10	1000	1000	7	10	1000
	3000	1970*	3595	4245	1400*	750*	7	10	1000	1000	7	10	1000
	3300	2120*	3895	4545	1550*	900*	7	10	1000	1000	7	10	1000
	3500	2220*	4095	4745	1650*	1000*	7	10	1000	1000	7	10	1000
	3700	2380*	4295	4945	1810*	1160*	7	10	1000	1000	7	10	1000
	4000	2570*	4595	5245	2000*	1350*	7	10	1000	1000	7	10	1000
FSV	3700	1770*	4240	4920	1230*	550*	7	5	950	950	7	5	950
	4000	1870*	4540	5220	1330*	650*	7	5	900	900	7	5	900
	4300	1970*	4840	5520	1430*	750*	7	5	900	900	7	5	900
	4500	2040*	5040	5720	1500*	820*	7	5	900	900	7	5	900
	4700	2120*	5240	5920	1580*	900*	7	5	900	900	7	5	900
	5000	2220*	5540	6220	1680*	1000*	7	5	850	850	7	5	850
	5500	2380*	6040	6720	1840*	1160*	7	5	850	850	7	5	850
	6000	2570*	6540	7220	2030*	1350*	7	5	700	800	7	5	800
	6500	2820*	7040	7720	2280*	1600*	—	—	—	—	7	5	700
	7000	3070*	7540	8220	2530*	1850*	—	—	—	—	7	5	650

NOTE: Height of standard load backrest is 1220 mm.

\* with optional tire size: 6.50-10-10PR (I), plus 25 mm.

\*\* with A4 piping, plus 155 mm.

\*\*\* Set only to a Russian specification.