

8FG15 8FD15

MAIN VEHICLE SPECIFICATIONS

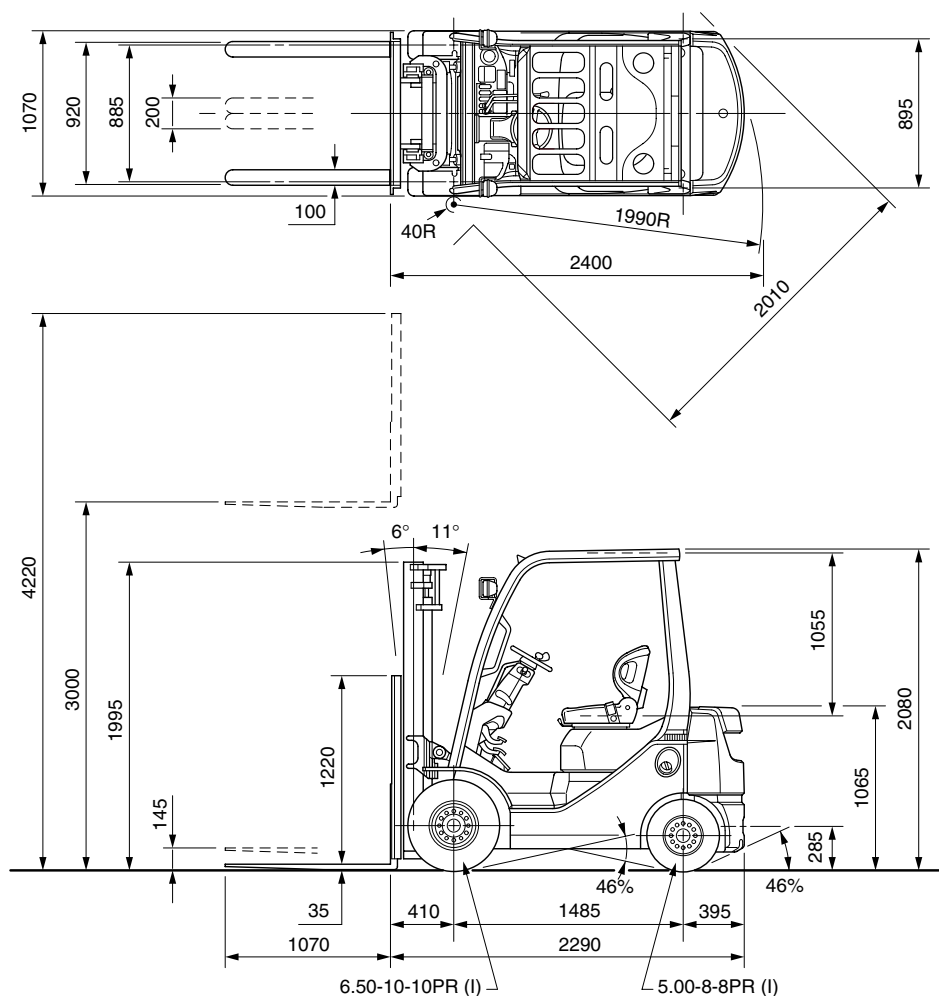
| | | | | TOYOTA | | TOYOTA | |
|----|---|-------------------------|------------------------------------|----------------------|--------------|----------------------|--------------|
| | | | | 30-8FG15 | 32-8FG15 | 60-8FD15 | 62-8FD15 |
| 1 | Manufacturer | | | | | | |
| 2 | Model | | | | | | |
| 3 | Load Capacity | | kg | 1500 | | 1500 | |
| 4 | Load Center | | mm | 500 | | 500 | |
| 5 | Power Type | | | Gasoline | | Diesel | |
| 6 | Operator Position | | | Rider Seated | | Rider Seated | |
| 7 | Tire Type | Front/Rear | | Pneumatic | | Pneumatic | |
| 8 | Wheels (x = driven) | Front/Rear | | 2x/2 | | 2x/2 | |
| 9 | Maximum Fork Height (MFH) | | | 3000 | | 3000 | |
| 10 | Free Lift | | | 145 | | 145 | |
| 13 | Fork Size | T x W x L | mm | 35x100x1070 | | 35x100x1070 | |
| | Fork Spread (Outside) | MAX./MIN. | mm | 920/200 | | 920/200 | |
| 14 | Tilt Range | FWD/BWD | deg | 6/11 | | 6/11 | |
| 15 | Length to Fork Face | | | 2290 | | 2290 | |
| 16 | Overall Width | | | 1070 | | 1070 | |
| 17 | Mast Lowered Height | | | 1995 | | 1995 | |
| 18 | Mast Extended Height | | | 4220 | | 4220 | |
| 19 | Overhead Guard Height | | | 2080 | | 2080 | |
| 21 | Turning Radius (Outside) | | | 1990 | | 1990 | |
| 22 | Load Distance (Centerline of front axle to front face of forks) | | mm | 410 | | 410 | |
| | Rear Overhang | | mm | 395 | | 395 | |
| 23 | Basic Right Angle Stacking Aisle Width (Add load length and clearance) | | | 2400 | | 2400 | |
| 24 | Travel, Max. (FWD/RVS) | Full Load | km/h | 19.0/19.0 | 18.5/18.5 | 19.0/19.0 | 19.0/19.0 |
| | | No Load | km/h | 19.5/19.5 | 19.0/19.0 | 19.5/19.5 | 19.5/19.5 |
| 25 | Speeds | Lifting | Full Load | 610 | 610 | 650 | 650 |
| | | No Load | mm/sec | 660 | 660 | 675 | 675 |
| 26 | Lowering | Full Load | mm/sec | 500 | 500 | 500 | 500 |
| | | No Load | mm/sec | 550 | 550 | 550 | 550 |
| 28 | Max. Drawbar Pull | Full Load | N (kg) | 15500 (1580) | 17500 (1790) | 15500 (1580) | 17600 (1790) |
| | | No Load | N (kg) | 6900 (700) | 6300 (640) | 7000 (710) | 7000 (710) |
| | Max. Drawbar Pull at 1.5km/h * | Full Load | N (kg) | — | 15700 (1600) | — | 16000 (1630) |
| 29 | Gradeability at 1.5 km/h * | Full Load | % (tanθ) | — | 45 | — | 45 |
| 30 | Max. Gradeability * | Full Load | % (tanθ) | 45 | 45 | 44 | 45 |
| | | No Load | % (tanθ) | 22 | 22 | 22 | 22 |
| 32 | Total Weight | | | 2430 | | 2530 | |
| 33 | Weight Distribution | Full Load | Front | kg | 3430 | 3480 | |
| | | | Rear | kg | 500 | 550 | |
| 34 | | No Load | Front | kg | 1010 | 1060 | |
| | | | Rear | kg | 1420 | 1470 | |
| 35 | Number | Front/Rear | | 2/2 | | 2/2 | |
| 36 | Tires | Front | | 6.50-10-10PR (I) | | 6.50-10-10PR (I) | |
| 37 | | Rear | | 5.00-8-8PR (I) | | 5.00-8-8PR (I) | |
| 38 | Wheelbase | | | 1485 | | 1485 | |
| 39 | Tread | Front | mm | 885 | | 885 | |
| | | Rear | mm | 895 | | 895 | |
| | Backrest Height | | | 1220 | | 1220 | |
| | Overhead Guard Clearance | | | 1055 | | 1055 | |
| | Counterweight Height | | | 1065 | | 1065 | |
| | Drawbar Pin Center Height | | | 285 | | 285 | |
| | Step Height/Floor Height | | | 395/635 | | 395/635 | |
| 40 | Underclearance | Min. with Load | mm | 115 | | 115 | |
| 41 | | Center of Wheelbase | mm | 130 | | 130 | |
| | Grade Clearance | Frame/Counterweight | % (tanθ) | 46/46 | | 46/46 | |
| 42 | Brake | Service (Foot) | | Hydraulic | | Hydraulic | |
| 43 | | Parking | | Hand | Foot | Hand | Foot |
| 45 | Battery | Voltage/Capacity (5HR) | V/AH | 12/27 | | 12/55 | |
| 49 | | Make/Model | | TOYOTA/4Y | | TOYOTA/1DZ-II | |
| 50 | Internal Combustion Engine | Rated Horsepower/r.p.m. | kW (JIS ps) | 40/2400 (54/2400) | | 40/2400 (55/2400) | |
| 51 | | Rated Torque/r.p.m. | N-m (JIS kg-m) | 162/1800 (16.5/1800) | | 167/1600 (17.0/1600) | |
| 52 | | Number of Cylinder | | 4 | | 4 | |
| | | Piston Displacement | cc | 2237 | | 2486 | |
| | | Fuel Tank Capacity | liter | 45 | | 45 | |
| 55 | Transmission | Type | | Manual | Powershift | Manual | Powershift |
| | | Stage | FWD/RVS | 2/2 | 1/1 | 2/2 | 1/1 |
| 57 | Operating Pressure | For Attachments | Mpa (kg/cm ²) <psi> | 11.8 (120) <1700> | | 11.8 (120) <1700> | |

NOTE: * Computed values.

DIMENSIONAL DRAWINGS

8FG/8FD15

Unit: mm



UNDERCLEARANCE

| | |
|---------------------|-----|
| Mast | 90 |
| Drive Axle | 120 |
| Steer Axle | 120 |
| Center of Wheelbase | 130 |
| Counterweight | 120 |

SPECIAL TREAD

| Model | | 8FG/8FD15 | | |
|-----------------|-------------|------------------|-----------------|-----------------|
| Front Tire | Single/Dual | Single | Single | Dual |
| Front Tire Size | | 6.50-10-10PR (I) | 21x8-9-10PR (I) | 4.50-12-8PR (I) |
| Overall Width | mm | 1070 | 1110 | 1290 |
| Tread, Front | mm | 885 | 920 | 1010 |

SPECIAL MAST

Wide Visible Full-Free Lift Two-Stage Mast (FV), Wide Visible Full-Free Lift Three-Stage Mast (FSV)

| Model | | 8FG15 | 8FD15 | 8FG15 | 8FD15 |
|--------------|--|-------|-------|-------|-------|
| Type of Mast | | FV | | FSV | |

PERFORMANCE

| Speeds | Lifting | Full Load | mm/sec | 8FG15 | 8FD15 | 8FG15 | 8FD15 |
|----------|-----------|-----------|---------|---------|-------|-------|-------|
| | | | | No Load | 610 | 640 | 615 |
| Lowering | Full Load | mm/sec | 480 | 480 | 480 | 480 | |
| | | | No Load | 420 | 420 | 450 | 450 |

DIMENSIONS

| Load Distance (Centerline of front axle to front face of forks) | mm | 415 | 430 |
|--|----|-----|-----|
|--|----|-----|-----|

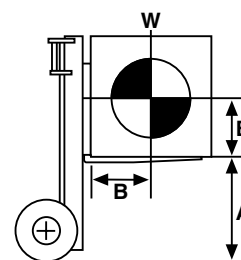
RATED CAPACITIES

8FG/8FD15

Unit: kg (W)

V, FV Mast (PN or PSC)

| A (mm) | 4000 | 4500 | 5000 |
|--------|------|------|------|
| 500 | 1500 | 1450 | 1300 |
| 600 | 1350 | 1300 | 1170 |
| 700 | 1220 | 1180 | 1060 |
| 800 | 1120 | 1090 | 970 |
| 900 | 1040 | 1000 | 900 |
| 1000 | 960 | 930 | 830 |
| 1100 | 900 | 870 | 780 |
| 1200 | 840 | 810 | 730 |



A: Max. Fork Height
B: Load Center
W: Capacity

FSV Mast (PN)

| A (mm) | 4300 | 4500 | 4700 | 5000 | 5500 | 6000 | 6500 | 7000 |
|--------|------|------|------|----------------|---------------|---------------|------------|------------|
| 500 | 1400 | 1350 | 1350 | 1250 [1300] | 950 [1250] | 700 [1100] | — [900] | — [650] |
| 600 | 1260 | 1210 | 1210 | 1120 [1170] | 850 [1120] | 630 [990] | — [810] | — [580] |
| 700 | 1150 | 1110 | 1110 | 1020 [1060] | 780 [1020] | 570 [900] | — [740] | — [530] |
| 800 | 1050 | 1020 | 1020 | 940 [980] | 710 [940] | 520 [830] | — [680] | — [490] |
| 900 | 970 | 940 | 940 | 870 [900] | 660 [870] | 480 [760] | — [620] | — [450] |
| 1000 | 910 | 870 | 870 | 810 [840] | 610 [810] | 450 [710] | — [580] | — [420] |
| 1100 | 850 | 820 | 820 | 750 [790] | 570 [750] | 420 [660] | — [540] | — [390] |
| 1200 | 790 | 770 | 770 | 710 [740] | 540 [710] | 390 [620] | — [510] | — [370] |

FSV Mast (PSC)

| A (mm) | 5000 | 5500 | 6000 |
|--------|------|------|------|
| 500 | 1300 | 1050 | 800 |
| 600 | 1170 | 940 | 720 |
| 700 | 1060 | 860 | 650 |
| 800 | 980 | 790 | 600 |
| 900 | 900 | 730 | 550 |
| 1000 | 840 | 680 | 520 |
| 1100 | 790 | 630 | 480 |
| 1200 | 740 | 590 | 450 |

[] for dual tire models (PN or PSC).

MAST SPECIFICATIONS & RATED CAPACITIES

Wide Visible Mast (V), Wide Visible Full-Free Lift Two-Stage Mast (FV), Wide Visible Full-Free Lift Three-Stage Mast (FSV)

8FG/8FD15

| Mast Type | Maximum Fork Height | Overall Height | | | Free Lift | | Single Tire | | | | Dual Tire | | |
|-----------|---------------------|----------------|-----------------------|-----------------------------|-----------------------|-----------------------------|-------------|------|----------------------------|-------------------------------|------------|------|--|
| | | Lowered | Extended | | Without Load Backrest | With Standard Load Backrest | Tilt Range | | Load Capacity at 500 mm LC | | Tilt Range | | Load Capacity at 500 mm LC |
| | | | Without Load Backrest | With Standard Load Backrest | | | FWD | BWD | Pneumatic Tire | Pneumatic-Shaped Cushion Tire | FWD | BWD | Pneumatic Tire/ Pneumatic-Shaped Cushion Tire |
| | | | | | | | | | | | | | |
| V | 2700 | 1845 | 3145* | 3920 | 145 | 145 | 6 | 11 | 1500 | 1500 | 7 | 10 | 1500 |
| | 3000 | 1995 | 3445* | 4220 | 145 | 145 | 6 | 11 | 1500 | 1500 | 7 | 10 | 1500 |
| | 3300 | 2145 | 3745* | 4520 | 145 | 145 | 6 | 11 | 1500 | 1500 | 7 | 10 | 1500 |
| | 3500 | 2245 | 3945* | 4720 | 145 | 145 | 6 | 11 | 1500 | 1500 | 7 | 10 | 1500 |
| | 3700 | 2405 | 4145* | 4920 | 145 | 145 | 6 | 11 | 1500 | 1500 | 7 | 10 | 1500 |
| | 4000 | 2595 | 4445* | 5220 | 145 | 145 | 6 | 11 | 1500 | 1500 | 7 | 10 | 1500 |
| | 4500 | 2845 | 4945* | 5720 | 145 | 145 | 6 | 6 | 1450 | 1450 | 7 | 10 | 1450 |
| 5000 | 3095 | 5445* | 6220 | 145 | 145 | 6 | 6 | 1300 | 1300 | 7 | 5 | 1300 | |
| FV | 2870** | 1930 | 3430 | 4085 | 1365 | 710 | 6 | 11 | 1500 | 1500 | 7 | 10 | 1500 |
| | 3000 | 1995 | 3560 | 4210 | 1430 | 780 | 6 | 11 | 1500 | 1500 | 7 | 10 | 1500 |
| | 3300 | 2145 | 3860 | 4510 | 1580 | 930 | 6 | 11 | 1500 | 1500 | 7 | 10 | 1500 |
| | 3500 | 2245 | 4060 | 4710 | 1680 | 1030 | 6 | 11 | 1500 | 1500 | 7 | 10 | 1500 |
| | 3700 | 2405 | 4260 | 4910 | 1840 | 1190 | 6 | 11 | 1500 | 1500 | 7 | 10 | 1500 |
| | 4000 | 2595 | 4560 | 5210 | 2030 | 1380 | 6 | 11 | 1500 | 1500 | 7 | 10 | 1500 |
| FSV | 3700 | 1795 | 4235 | 4915 | 1260 | 580 | 6 | 6 | 1400 | 1400 | 7 | 5 | 1400 |
| | 4000 | 1895 | 4535 | 5215 | 1360 | 680 | 6 | 6 | 1400 | 1400 | 7 | 5 | 1400 |
| | 4300 | 1995 | 4835 | 5515 | 1460 | 780 | 6 | 6 | 1400 | 1400 | 7 | 5 | 1400 |
| | 4500 | 2065 | 5035 | 5715 | 1530 | 850 | 6 | 6 | 1350 | 1350 | 7 | 5 | 1350 |
| | 4700 | 2145 | 5235 | 5915 | 1610 | 930 | 6 | 6 | 1350 | 1350 | 7 | 5 | 1350 |
| | 5000 | 2245 | 5535 | 6215 | 1710 | 1030 | 6 | 6 | 1250 | 1300 | 7 | 5 | 1300 |
| | 5500 | 2405 | 6035 | 6715 | 1870 | 1190 | 6 | 6 | 950 | 1050 | 7 | 5 | 1250 |
| | 6000 | 2595 | 6535 | 7215 | 2060 | 1380 | 6 | 6 | 700 | 800 | 7 | 5 | 1100 |
| | 6500 | 2845 | 7035 | 7715 | 2310 | 1630 | — | — | — | — | 7 | 5 | 900 |
| | 7000 | 3095 | 7535 | 8215 | 2560 | 1880 | — | — | — | — | 7 | 5 | 650 |

NOTE: Height of standard load backrest is 1220 mm.

* with A4 piping, plus 155 mm.

** Set only to a Russian specification.