

8FG20 8FD20

MAIN VEHICLE SPECIFICATIONS

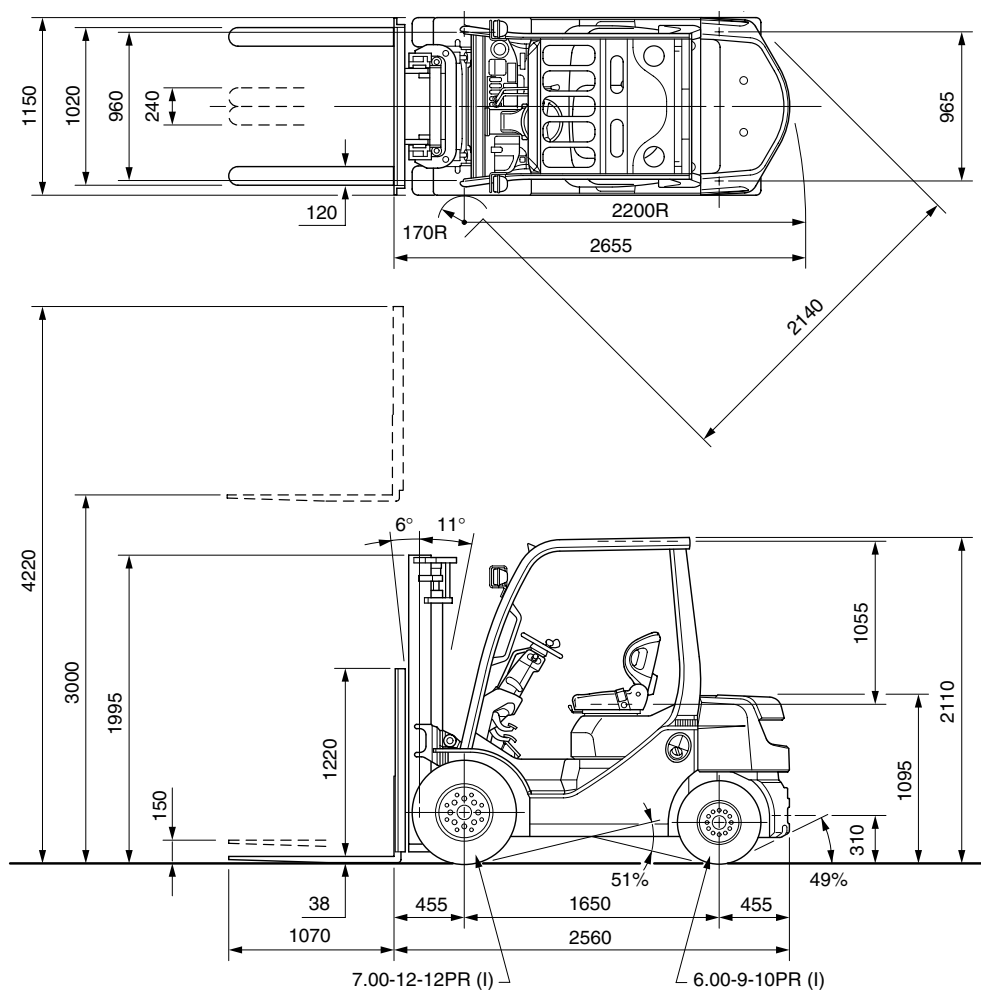
			TOYOTA		TOYOTA		TOYOTA	
			30-8FG20	32-8FG20	60-8FD20	62-8FD20	70-8FD20	72-8FD20
1	Manufacturer		TOYOTA		TOYOTA		TOYOTA	
2	Model		30-8FG20	32-8FG20	60-8FD20	62-8FD20	70-8FD20	72-8FD20
3	Load Capacity	kg	2000		2000		2000	
4	Load Center	mm	500		500		500	
5	Power Type		Gasoline		Diesel		Diesel	
6	Operator Position		Rider Seated		Rider Seated		Rider Seated	
7	Tire Type	Front/Rear	Pneumatic		Pneumatic		Pneumatic	
8	Wheels (x = driven)	Front/Rear	2x/2		2x/2		2x/2	
9	Maximum Fork Height (MFH)	mm	3000		3000		3000	
10	Free Lift	mm	150		150		150	
13	Fork Size	T x W x L	38x120x1070		38x120x1070		38x120x1070	
	Fork Spread (Outside)	MAX./MIN.	1020/240		1020/240		1020/240	
14	Tilt Range	FWD/BWD	6/11		6/11		6/11	
15	Length to Fork Face	mm	2560		2560		2560	
16	Overall Width	mm	1150		1150		1150	
17	Mast Lowered Height	mm	1995		1995		1995	
18	Mast Extended Height	mm	4220		4220		4220	
19	Overhead Guard Height	mm	2110		2110		2110	
21	Turning Radius (Outside)	mm	2200		2200		2200	
22	Load Distance (Centerline of front axle to front face of forks)	mm	455		455		455	
	Rear Overhang	mm	455		455		455	
23	Basic Right Angle Stacking Aisle Width (Add load length and clearance)	mm	2655		2655		2655	
24	Travel, Max. (FWD/RVS)	Full Load	18.0/18.0	17.5/17.5	19.5/19.5	19.0/19.0	19.0/19.0	19.0/19.0
		No Load	18.5/18.5	18.0/18.0	20.0/20.0	19.5/19.5	19.5/19.5	19.5/19.5
25	Speeds	Lifting	600	600	615	615	650	650
		No Load	640	640	655	655	675	675
26	Lowering	Full Load	500	500	500	500	500	500
		No Load	500	550	500	500	500	500
28	Max. Drawbar Pull	Full Load	16500 (1680)	18700 (1910)	17500 (1780)	18600 (1900)	19500 (1990)	20000 (2040)
		No Load	9000 (920)	9000 (920)	9100 (930)	9100 (930)	9200 (940)	9200 (940)
	Max. Drawbar Pull at 1.5km/h *	Full Load	—	17200 (1750)	—	16900 (1720)	—	17500 (1780)
29	Gradeability at 1.5 km/h *	Full Load	—	37	—	32	—	34
30	Max. Gradeability *	Full Load	33	41	33	36	38	38
		No Load	22	22	22	22	22	22
32	Total Weight	kg	3250		3290		3340	
33	Weight Distribution	Full Load	Front	4580	4600	4620	4620	4620
		Rear	670	690	720	720	720	
34	No Load	Front	1410	1430	1450	1450	1450	
		Rear	1840	1860	1890	1890	1890	
35	Tires	Number	2/2		2/2		2/2	
36	Size	Front	7.00-12-12PR (I)		7.00-12-12PR (I)		7.00-12-12PR (I)	
37		Rear	6.00-9-10PR (I)		6.00-9-10PR (I)		6.00-9-10PR (I)	
38	Wheelbase	mm	1650		1650		1650	
39	Tread	Front	960		960		960	
		Rear	965		965		965	
	Backrest Height	mm	1220		1220		1220	
	Overhead Guard Clearance	mm	1055		1055		1055	
	Counterweight Height	mm	1095		1095		1095	
	Drawbar Pin Center Height	mm	310		310		310	
	Step Height/Floor Height	mm	435/675		435/675		435/675	
40	Underclearance	Min. with Load	115		115		115	
41	Center of Wheelbase	mm	160		160		160	
	Grade Clearance	Frame/Counterweight	51/49		51/49		51/49	
42	Brake	Service (Foot)	Hydraulic		Hydraulic		Hydraulic	
43		Parking	Hand	Foot	Hand	Foot	Hand	Foot
45	Battery	Voltage/Capacity (5HR)	12/27		12/55		12/64	
49	Make/Model		TOYOTA/4Y		TOYOTA/1DZ-II		TOYOTA/2Z	
50	Rated Horsepower/r.p.m.	kW (JIS ps)	40/2400 (54/2400)		44/2600 (60/2600)		49/2200 (66/2200)	
51	Internal Combustion Engine	Rated Torque/r.p.m.	162/1800 (16.5/1800)		167/1600 (17.0/1600)		216/1600 (22.0/1600)	
		Number of Cylinder	4		4		4	
52		Piston Displacement	cc		2486		3469	
	Fuel Tank Capacity	liter	60		60		60	
55	Transmission	Type	Manual	Powershift	Manual	Powershift	Manual	Powershift
		Stage	2/2	1/1	2/2	1/1	2/2	1/1
57	Operating Pressure	For Attachments	Mpa (kg/cm ²) <psi>		14.7 (150) <2100>		14.7 (150) <2100>	

NOTE: * Computed values.

DIMENSIONAL DRAWINGS

8FG/8FD20

Unit: mm



UNDERCLEARANCE

Mast	115
Drive Axle	150
Steer Axle	160
Center of Wheelbase	160
Counterweight	150

SPECIAL TREAD

Model		8FG/8FD20		
Front Tire	Single/Dual	Single	Dual	Dual
Front Tire Size		7.00-12-12PR (I)	5.50-15-8PR (I)	7.00-12-12PR (I)
Overall Width	mm	1150	1450	1610
Tread, Front	mm	960	1105	1190

SPECIAL MAST

Wide Visible Full-Free Lift Two-Stage Mast (FV), Wide Visible Full-Free Lift Three-Stage Mast (FSV)

Model		8FG/8FD20							
		8FG20	60-8FD20 62-8FD20	70-8FD20 72-8FD20	8FG20	60-8FD20 62-8FD20	70-8FD20 72-8FD20		
Type of Mast		FV			FSV				
PERFORMANCE									
Speeds	Lifting	Full Load	mm/sec	560	600	625	560	590	620
		No Load	mm/sec	600	640	655	600	630	645
	Lowering	Full Load	mm/sec		480		480		
		No Load	mm/sec		420		450		
DIMENSIONS									
Load Distance (Centerline of front axle to front face of forks)		mm		470		475			

RATED CAPACITIES

8FG/8FD20

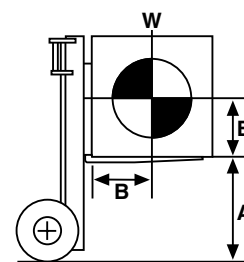
Unit: kg (W)

V, FV Mast (PN)

A (mm)	4000	4500	5000
500	2000	1950	1850 [1900]
600	1810	1760	1670 [1710]
700	1650	1610	1520 [1570]
800	1520	1480	1400 [1440]
B (mm)	1400	1370	1300 [1330]
1000	1310	1270	1210 [1240]
1100	1220	1190	1130 [1160]
1200	1150	1120	1060 [1090]
1300	1080	1060	1000 [1030]

V, FV Mast (PSC)

A (mm)	4500	5000
500	1950	1900
600	1760	1710
700	1610	1570
800	1480	1440
B (mm)	1370	1330
1000	1270	1240
1100	1190	1160
1200	1120	1090
1300	1060	1030



A: Max. Fork Height
B: Load Center
W: Capacity

[] for dual tire models.

FSV Mast (PN)

A (mm)	3700	4000	4300	4500	4700	5000	5500	6000	6500	7000
500	2000	1950	1900 [1950]	1850 [1900]	1850 [1900]	1450 [1850]	1200 [1800]	850 [1600]	— [1550]	— [1200]
600	1810	1760	1720 [1760]	1670 [1720]	1670 [1720]	1310 [1670]	1080 [1630]	770 [1450]	— [1400]	— [1080]
700	1650	1610	1570 [1610]	1530 [1570]	1530 [1570]	1200 [1530]	990 [1490]	700 [1320]	— [1280]	— [990]
800	1520	1490	1450 [1490]	1410 [1450]	1410 [1450]	1100 [1410]	910 [1370]	650 [1220]	— [1180]	— [910]
B (mm)	1410	1380	1340 [1380]	1310 [1340]	1310 [1340]	1020 [1310]	850 [1270]	600 [1130]	— [1090]	— [850]
1000	1320	1280	1250 [1280]	1220 [1250]	1220 [1250]	950 [1220]	790 [1180]	560 [1050]	— [1020]	— [790]
1100	1230	1200	1170 [1200]	1140 [1170]	1140 [1170]	890 [1140]	740 [1110]	520 [990]	— [950]	— [740]
1200	1160	1130	1100 [1130]	1070 [1100]	1070 [1100]	840 [1070]	690 [1040]	490 [930]	— [900]	— [690]
1300	1090	1070	1040 [1070]	1010 [1040]	1010 [1040]	790 [1010]	650 [980]	460 [870]	— [850]	— [650]

[] for dual tire models (PN or PSC).

FSV Mast (PSC)

A (mm)	5000	5500	6000
500	1600	1350	1000
600	1450	1220	900
700	1320	1120	820
800	1220	1030	760
B (mm)	1130	950	700
1000	1050	890	660
1100	990	830	610
1200	930	780	580
1300	870	740	540

MAST SPECIFICATIONS & RATED CAPACITIES

Wide Visible Mast (V), Wide Visible Full-Free Lift Two-Stage Mast (FV), Wide Visible Full-Free Lift Three-Stage Mast (FSV)
8FG/8FD20

Mast Type	Maximum Fork Height	Overall Height			Free Lift		Single Tire				Dual Tire		
		Lowered	Extended		Without Load Backrest	With Standard Load Backrest	Tilt Range		Load Capacity at 500 mm LC		Tilt Range		Load Capacity at 500 mm LC PneumaticTire/ Pneumatic-Shaped Cushion Tire
			Without Load Backrest	With Standard Load Backrest			FWD	BWD	Pneumatic Tire	Pneumatic-Shaped Cushion Tire	FWD	BWD	
V	2700	1845	3375*	3920	145	145	6	11	2000	2000	6	11	2000
	3000	1995	3675*	4220	145	145	6	11	2000	2000	6	11	2000
	3300	2145	3975*	4520	145	145	6	11	2000	2000	6	11	2000
	3500	2245	4175*	4720	145	145	6	11	2000	2000	6	11	2000
	3700	2405	4375*	4920	145	145	6	11	2000	2000	6	11	2000
	4000	2595	4675*	5220	145	145	6	11	2000	2000	6	11	2000
	4500	2845	5175*	5720	145	145	6	6	1950	1950	6	6	1950
5000	3095	5675*	6220	145	145	6	6	1850	1900	6	6	1900	
FV	3000	1995	3560	4175	1395	780	6	11	2000	2000	6	11	2000
	3300	2145	3860	4435	1545	970	6	11	2000	2000	6	11	2000
	3500	2245	4060	4635	1645	1070	6	11	2000	2000	6	11	2000
	3700	2405	4260	4835	1805	1230	6	11	2000	2000	6	11	2000
	4000	2595	4560	5135	1995	1420	6	11	2000	2000	6	11	2000
FSV	3700	1795	4275	4910	1220	580	6	6	2000	2000	6	6	2000
	4000	1895	4575	5210	1320	680	6	6	1950	1950	6	6	1950
	4300	1995	4875	5510	1420	780	6	6	1900	1900	6	6	1950
	4500	2065	5075	5710	1490	850	6	6	1850	1850	6	6	1900
	4700	2145	5275	5910	1570	930	6	6	1850	1850	6	6	1900
	5000	2245	5575	6210	1670	1030	6	6	1450	1600	6	6	1850
	5500	2405	6075	6710	1830	1190	6	6	1200	1350	6	6	1800
	6000	2595	6575	7210	2020	1380	6	6	850	1000	6	6	1600
	6500	2845	7075	7710	2270	1630	—	—	—	—	6	6	1550
	7000	3095	7575	8210	2520	1880	—	—	—	—	6	6	1200

NOTE: Height of standard load backrest is 1220 mm.

* with A4 piping, minus 15 mm.