

# 8FG25 8FD25

## MAIN VEHICLE SPECIFICATIONS

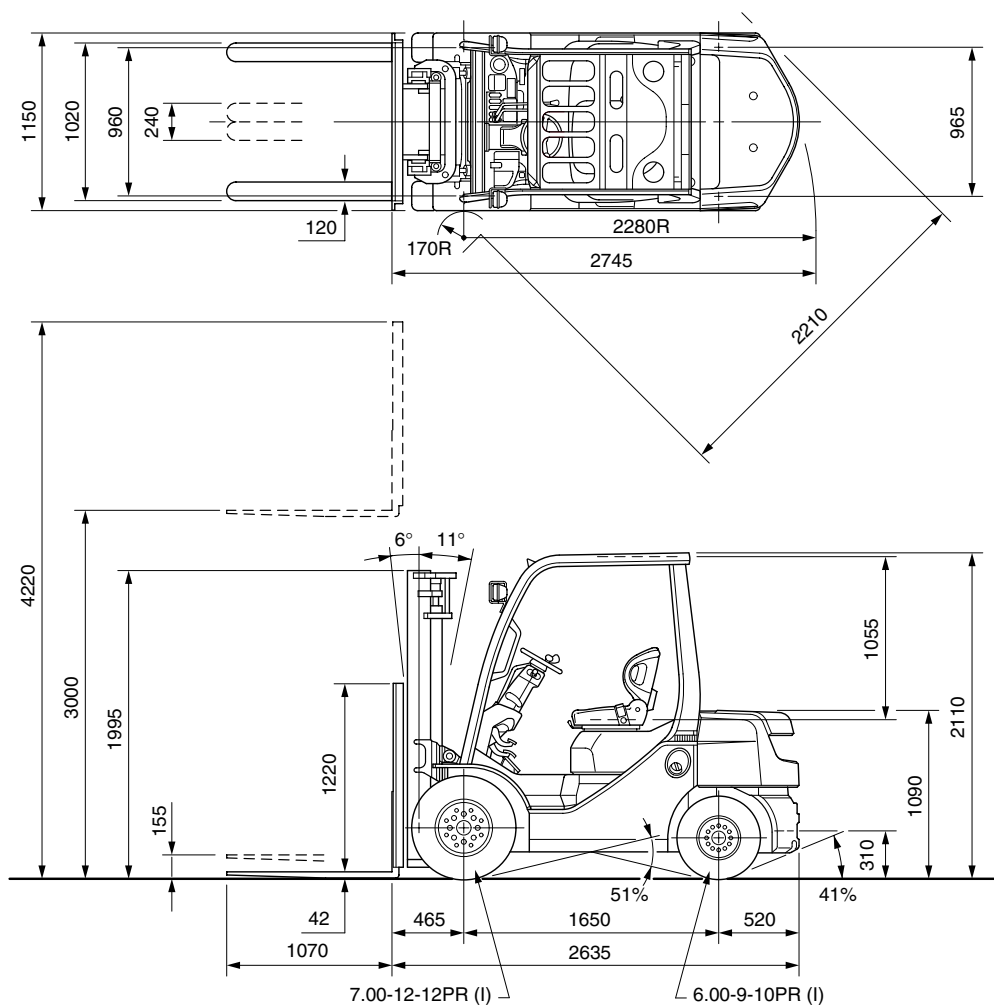
			TOYOTA		TOYOTA		TOYOTA	
			30-8FG25	32-8FG25	60-8FD25	62-8FD25	70-8FD25	72-8FD25
1	Manufacturer							
2	Model							
3	Load Capacity		kg		2500		2500	
4	Load Center		mm		500		500	
5	Power Type		Gasoline		Diesel		Diesel	
6	Operator Position		Rider Seated		Rider Seated		Rider Seated	
7	Tire Type		Front/Rear		Pneumatic		Pneumatic	
8	Wheels (x = driven)		Front/Rear		2x/2		2x/2	
9	Maximum Fork Height (MFH)		mm		3000		3000	
10	Free Lift		mm		155		155	
13	Fork Size		T x W x L		42x120x1070		42x120x1070	
	Fork Spread (Outside)		MAX./MIN.		1020/240		1020/240	
14	Tilt Range		FWD/BWD		deg		6/11	
15	Length to Fork Face		mm		2635		2635	
16	Overall Width		mm		1150		1150	
17	Mast Lowered Height		mm		1995		1995	
18	Mast Extended Height		mm		4220		4220	
19	Overhead Guard Height		mm		2110		2110	
21	Turning Radius (Outside)		mm		2280		2280	
22	Load Distance (Centerline of front axle to front face of forks)		mm		465		465	
	Rear Overhang		mm		520		520	
23	Basic Right Angle Stacking Aisle Width (Add load length and clearance)		mm		2745		2745	
24	Travel, Max. (FWD/RVS)	Full Load	km/h	18.0/18.0	17.5/17.5	19.5/19.5	19.0/19.0	19.0/19.0
		No Load	km/h	18.5/18.5	18.0/18.0	20.0/20.0	19.5/19.5	19.5/19.5
25	Speeds	Lifting	Full Load	mm/sec	600	600	615	615
		No Load	mm/sec	640	640	655	655	675
26	Lowering	Full Load	mm/sec	500	500	500	500	500
		No Load	mm/sec	500	500	500	500	500
28	Max. Drawbar Pull	Full Load	N (kg)	16500 (1680)	18500 (1890)	17500 (1780)	19000 (1940)	19500 (1990)
		No Load	N (kg)	8600 (880)	8500 (870)	8700 (890)	8700 (890)	8800 (900)
	Max. Drawbar Pull at 1.5km/h *	Full Load	N (kg)	—	17000 (1730)	—	17200 (1750)	—
29	Gradeability at 1.5 km/h *	Full Load	% (tanθ)	—	30	—	31	—
30	Max. Gradeability *	Full Load	% (tanθ)	28	34	28	34	33
		No Load	% (tanθ)	19	19	19	19	19
32	Total Weight		kg	3560		3600		3650
33	Weight Distribution	Full Load	Front	kg	5280		5300	
		Rear	kg	780		800		830
34	No Load	Front	kg	1300		1320		1340
		Rear	kg	2260		2280		2310
35	Tires		Number	Front/Rear	2/2		2/2	
36	Size	Front		7.00-12-12PR (I)		7.00-12-12PR (I)		7.00-12-12PR (I)
		Rear		6.00-9-10PR (I)		6.00-9-10PR (I)		6.00-9-10PR (I)
38	Wheelbase		mm	1650		1650		1650
39	Tread	Front	mm	960		960		960
		Rear	mm	965		965		965
	Backrest Height		mm	1220		1220		1220
	Overhead Guard Clearance		mm	1055		1055		1055
	Counterweight Height		mm	1090		1090		1090
	Drawbar Pin Center Height		mm	310		310		310
	Step Height/Floor Height		mm	435/675		435/675		435/675
40	Underclearance		Min. with Load	mm	115		115	
41	Center of Wheelbase		mm	160		160		160
	Grade Clearance		Frame/Counterweight	% (tanθ)	51/41		51/41	
42	Brake	Service (Foot)		Hydraulic		Hydraulic		Hydraulic
		Parking		Hand	Foot	Hand	Foot	Hand
43								
45	Battery		Voltage/Capacity (5HR)	V/AH	12/27		12/55	
49	Make/Model		TOYOTA/4Y		TOYOTA/1DZ-II		TOYOTA/2Z	
50	Rated Horsepower/r.p.m.		kW (JIS ps)		40/2400 (54/2400)		44/2600 (60/2600)	
51	Rated Torque/r.p.m.		N-m (JIS kg-m)		162/1800 (16.5/1800)		167/1600 (17.0/1600)	
52	Internal Combustion Engine		Number of Cylinder		4		4	
	Piston Displacement		cc		2237		2486	
	Fuel Tank Capacity		liter		60		60	
55	Transmission	Type		Manual	Powershift	Manual	Powershift	Manual
		Stage	FWD/RVS	2/2	1/1	2/2	1/1	2/2
57	Operating Pressure		For Attachments	Mpa (kg/cm <sup>2</sup> ) <psi>	14.7 (150) <2100>		14.7 (150) <2100>	

NOTE: \* Computed values.

# DIMENSIONAL DRAWINGS

## 8FG/8FD25

Unit: mm



### UNDERCLEARANCE

Mast	115
Drive Axle	150
Steer Axle	160
Center of Wheelbase	160
Counterweight	150

### SPECIAL TREAD

Model		8FG/8FD25		
Front Tire	Single/Dual	Single	Dual	Dual
Front Tire Size		7.00-12-12PR (I)	5.50-15-8PR (I)	7.00-12-12PR (I)
Overall Width	mm	1150	1450	1610
Tread, Front	mm	960	1105	1190

### SPECIAL MAST

Wide Visible Full-Free Lift Two-Stage Mast (FV), Wide Visible Full-Free Lift Three-Stage Mast (FSV)

Model		8FG/8FD25							
		8FG25	60-8FD25 62-8FD25	70-8FD25 72-8FD25	8FG25	60-8FD25 62-8FD25	70-8FD25 72-8FD25		
Type of Mast		FV			FSV				
<b>PERFORMANCE</b>									
Speeds	Lifting	Full Load	mm/sec	560	600	625	560	590	620
		No Load	mm/sec	600	640	655	600	630	645
	Lowering	Full Load	mm/sec		480		480		
		No Load	mm/sec		420		450		
<b>DIMENSIONS</b>									
Load Distance (Centerline of front axle to front face of forks)		mm		470		480			

## RATED CAPACITIES

### 8FG/8FD25

Unit: kg (W)

#### V, FV Mast (PN)

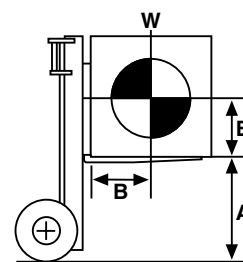
A (mm)	4000	4500	5000
500	2500	2150 [2450]	1700 [2400]
600	2260	1940 [2210]	1540 [2170]
700	2070	1780 [2020]	1400 [1980]
800	1900	1640 [1860]	1290 [1830]
B (mm)	900	1760	1510 [1730]
	1000	1640	1410 [1610]
	1100	1540	1320 [1510]
	1200	1440	1240 [1410]
	1300	1360	1170 [1330]

[ ] for dual tire models.

#### V, FV Mast (PSC)

A (mm)	4000	4500	5000
500	2500	2300 [2450]	1850 [2400]
600	2260	1940 [2210]	1540 [2170]
700	2070	1780 [2020]	1400 [1980]
800	1900	1640 [1860]	1290 [1830]
B (mm)	900	1760	1510 [1730]
	1000	1640	1410 [1610]
	1100	1540	1320 [1510]
	1200	1440	1240 [1410]
	1300	1360	1170 [1330]

[ ] for dual tire models.



A: Max. Fork Height  
B: Load Center  
W: Capacity

#### FSV Mast (PN)

A (mm)	4000	4300	4500	4700	5000	5500	6000	6500	7000
500	2500	2300 [2500]	2000 [2450]	2000 [2450]	1500 [2400]	1250 [2050]	900 [1700]	— [1550]	— [1200]
600	2260	2080 [2260]	1810 [2220]	1810 [2220]	1360 [2170]	1130 [1860]	810 [1540]	— [1400]	— [1080]
700	2070	1910 [2070]	1660 [2030]	1660 [2030]	1240 [1990]	1030 [1700]	740 [1410]	— [1280]	— [990]
800	1910	1760 [1910]	1530 [1870]	1530 [1870]	1140 [1830]	950 [1560]	680 [1300]	— [1180]	— [910]
B (mm)	900	1770	1630 [1770]	1420 [1730]	1420 [1730]	1060 [1450]	880 [1200]	630 [1100]	— [850]
	1000	1650	1520 [1650]	1320 [1620]	1320 [1620]	990 [1580]	820 [1350]	590 [1120]	— [790]
	1100	1550	1420 [1550]	1240 [1510]	1240 [1510]	930 [1480]	770 [1270]	550 [1050]	— [960]
	1200	1450	1340 [1450]	1160 [1420]	1160 [1420]	870 [1400]	720 [1190]	520 [990]	— [700]
	1300	1370	1260 [1370]	1100 [1340]	1100 [1340]	820 [1320]	680 [1120]	490 [930]	— [850]

[ ] for dual tire models (PN or PSC).

#### FSV Mast (PSC)

A (mm)	5000	5500	6000
500	1650	1400	1050
600	1490	1270	950
700	1370	1160	870
800	1260	1070	800
B (mm)	900	1170	990
	1000	1090	920
	1100	1020	860
	1200	960	810
	1300	900	770

## MAST SPECIFICATIONS & RATED CAPACITIES

Wide Visible Mast (V), Wide Visible Full-Free Lift Two-Stage Mast (FV), Wide Visible Full-Free Lift Three-Stage Mast (FSV)  
8FG/8FD25

Mast Type	Maximum Fork Height	Overall Height			Free Lift		Single Tire				Dual Tire		
		Lowered	Extended		Without Load Backrest	With Standard Load Backrest	Tilt Range		Load Capacity at 500 mm LC		Tilt Range		Load Capacity at 500 mm LC Pneumatic Tire/ Pneumatic-Shaped Cushion Tire
			Without Load Backrest	With Standard Load Backrest			FWD	BWD	Pneumatic Tire	Pneumatic-Shaped Cushion Tire	FWD	BWD	
V	2700	1845	3375*	3920	150	150	6	11	2500	2500	6	11	2500
	3000	1995	3675*	4220	150	150	6	11	2500	2500	6	11	2500
	3300	2145	3975*	4520	150	150	6	11	2500	2500	6	11	2500
	3500	2245	4175*	4720	150	150	6	11	2500	2500	6	11	2500
	3700	2405	4375*	4920	150	150	6	11	2500	2500	6	11	2500
	4000	2595	4675*	5220	150	150	6	6	2500	2500	6	11	2500
	4500	2845	5175*	5720	150	150	6	6	2150	2300	6	11	2450
5000	3095	5675*	6220	150	150	6	6	1700	1850	6	6	2400	
FV	3000	1995	3560	4175	1400	785	6	11	2500	2500	6	11	2500
	3300	2145	3860	4435	1550	975	6	11	2500	2500	6	11	2500
	3500	2245	4060	4635	1650	1075	6	11	2500	2500	6	11	2500
	3700	2405	4260	4835	1810	1235	6	11	2500	2500	6	11	2500
	4000	2595	4560	5135	2000	1425	6	6	2500	2500	6	11	2500
FSV	3700	1795	4270	4910	1225	585	6	6	2500	2500	6	6	2500
	4000	1895	4570	5210	1325	685	6	6	2500	2500	6	6	2500
	4300	1995	4870	5510	1425	785	6	6	2300	2300	6	6	2500
	4500	2065	5070	5710	1495	855	6	6	2000	2000	6	6	2450
	4700	2145	5270	5910	1575	935	6	6	2000	2000	6	6	2450
	5000	2245	5570	6210	1675	1035	6	6	1500	1650	6	6	2400
	5500	2405	6070	6710	1835	1195	6	6	1250	1400	6	6	2050
	6000	2595	6570	7210	2025	1385	6	6	900	1050	6	6	1700
	6500	2845	7070	7710	2275	1635	—	—	—	—	6	6	1550
	7000	3095	7570	8210	2525	1885	—	—	—	—	6	6	1200

NOTE: Height of standard load backrest is 1220 mm.

\* with A4 piping, minus 15 mm.